



**R.E. THOMAS**

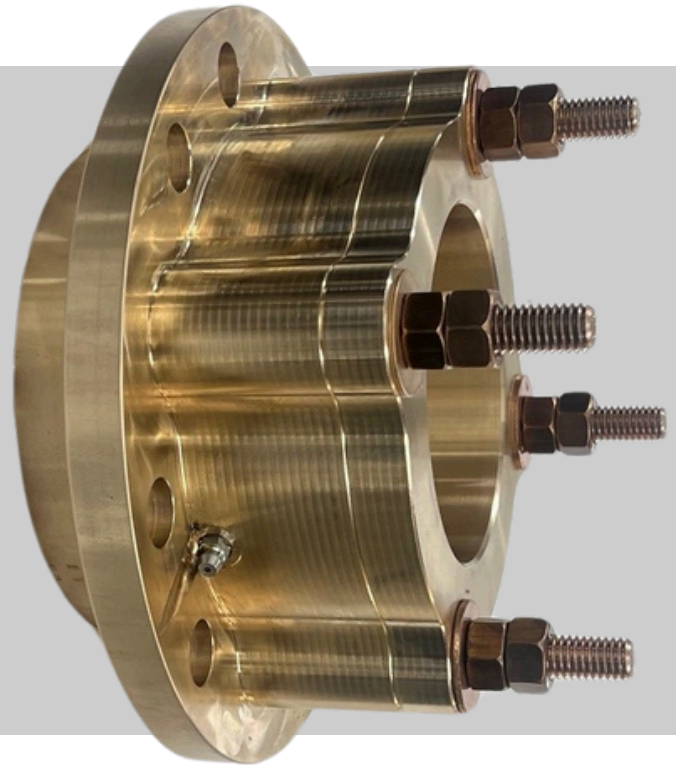
MARINE HARDWARE INC.

# COMMERCIAL-GRADE BULKHEAD STUFFING BOXES

## BHS SERIES

### Bulkhead Stuffing Boxes

- Precision machined from 932 Bronze hollow bar
- Grease fitting
- Quick turnaround
- Shaft diameter sizes from 2" to 6 1/4"
- Custom sizes designs available



### Ensure Watertight Integrity with R.E. Thomas Marine Hardware's Superior Bulkhead Stuffing Boxes

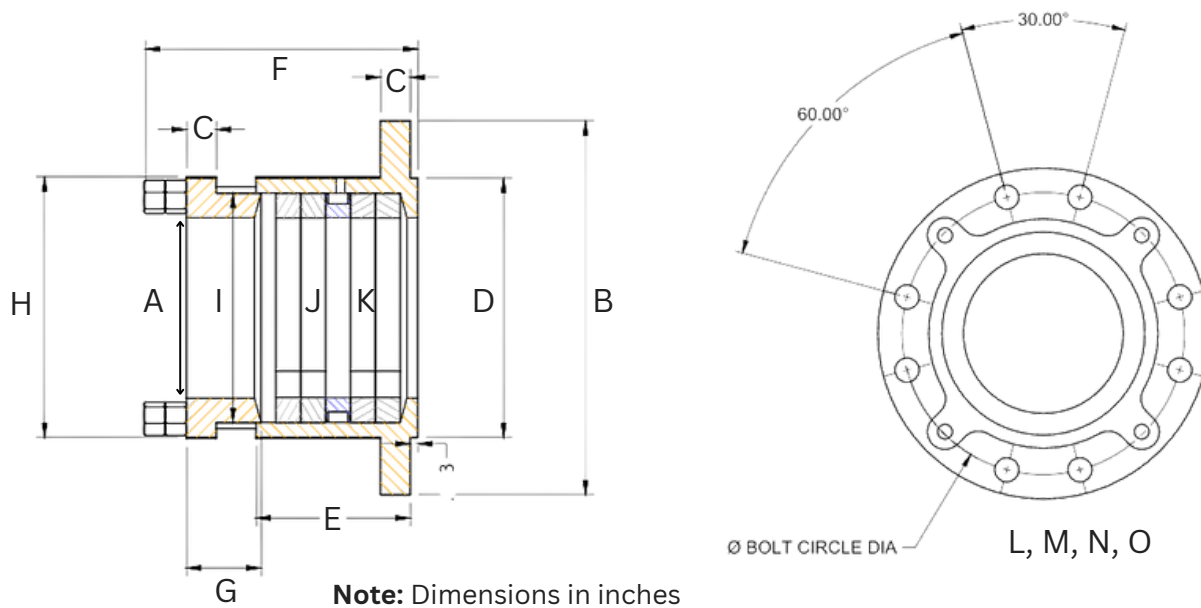
Propeller shaft transitions between watertight compartments is made seamless with our top-tier bulkhead stuffing boxes. With over 50 years of expertise, RE Thomas Marine Hardware proudly introduces the new BHS Series, engineered to meet industry-standard sizing.

What sets us apart? Our world-class precision machining capabilities ensure each bulkhead stuffing box is crafted with the finest materials and impeccable craftsmanship. Plus, our ultra-modern and efficient manufacturing process guarantees a quick turnaround, so you can stay on course without delays.

Choose RE Thomas Marine Hardware for unmatched reliability and quality—your vessel deserves the best. Give us a call today for a quote.



# BHS SERIES | BULKHEAD STUFFING BOXES



Part #	A	B	C	D	E	F	G	H	I	J	K	L	M	N	O
	Shaft Dia	Flange Dia	Flange Thickness	Male Pilot	Length	Overall Length	Gland Length	Gland Flange Diameter	Packing O.D.	Packing Size	# Rings	# holes	Drill Size	Bolt Circle	Hole Spacing
BHS 2000	2	5 3/4	1/2	3 1/4	2 1/2	4 11/16	1 1/4	5 1/4	2 3/4	3/8	4	8	9/16	4 1/2	30/60
BHS 2250	2 1/4	6	1/2	3 1/2	2 1/2	4 11/16	1 1/4	5 1/2	3	3/8	4	8	9/16	4 3/4	30/60
BHS 2500	2 1/2	6 1/4	1/2	3 3/4	2 5/8	4 13/16	1 3/8	5 3/4	3 1/4	3/8	4	8	9/16	5	30/60
BHS 2750	2 3/4	6 1/2	1/2	4	2 5/8	4 13/16	1 3/8	6	3 1/2	3/8	4	8	9/16	5 1/2	30/60
BHS 3000	3	7 1/2	7/16	4 3/4	3 1/16	5 1/4	1 7/16	7	4	1/2	4	8	11/16	6 1/4	30/60
BHS 3250	3 1/4	7 1/2	7/16	4 3/4	3 1/16	5 1/4	1 7/16	7	4 1/4	1/2	4	8	11/16	6 1/4	30/60
BHS 3500	3 1/2	8 1/8	5/8	5 1/4	3 1/4	5 5/8	1 5/8	7 5/8	4 1/2	1/2	4	8	11/16	6 3/4	30/60
BHS 3750	3 3/4	8 1/8	5/8	5 1/4	3 1/4	5 5/8	1 5/8	7 5/8	4 3/4	1/2	4	8	11/16	6 3/4	30/60
BHS 4000	4	8 5/8	5/8	5 3/4	3 1/4	5 5/8	1 5/8	8 1/8	5	1/2	4	8	11/16	7 1/4	30/60
BHS 4250	4 1/4	8 5/8	5/8	5 3/4	3 1/4	5 5/8	1 5/8	8 1/8	5 1/4	1/2	4	8	11/16	7 1/4	30/60
BHS 4500	4 1/2	9 3/8	3/4	6 1/2	3 5/8	6 1/4	1 7/8	8 7/8	5 3/4	5/8	4	8	11/16	8	30/60
BHS 4750	4 3/4	9 3/8	3/4	6 1/2	3 5/8	6 1/4	1 7/8	8 7/8	6	5/8	4	8	11/16	8	30/60
BHS 5000	5	10 1/8	3/4	7 1/4	4 1/4	7 5/8	2 3/8	9 5/8	6 1/2	3/4	4	8	11/16	8 3/4	30/60
BHS 5250	5 1/4	10 1/8	3/4	7 1/4	4 1/4	7 5/8	2 3/8	9 5/8	6 3/4	3/4	4	8	11/16	8 3/4	30/60
BHS 5500	5 1/2	10 5/8	3/4	7 3/4	4 1/4	7 5/8	2 3/8	10 1/8	7	3/4	4	8	11/16	9 1/4	30/60
BHS 5750	5 3/4	10 5/8	3/4	7 3/4	4 1/4	7 5/8	2 3/8	10 1/8	7 1/4	3/4	4	8	11/16	9 1/4	30/60
BHS 6000	6	11 3/8	3/4	8 3/8	4 1/4	8 1/4	2 3/8	10 7/8	7 1/2	3/4	4	8	11/16	10 1/8	30/60
BHS 6250	6 1/4	11 3/8	3/4	8 3/8	4 1/4	8 1/4	2 3/8	10 7/8	7 3/4	3/4	4	8	11/16	10 1/8	30/60